



Benner-Nawman, Inc.

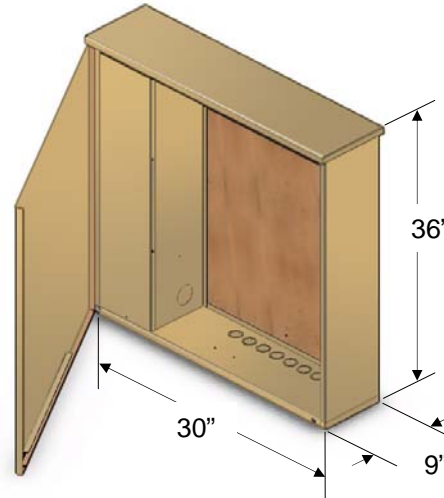
3450 Sabin Brown Road • Wickenburg, AZ 85390

(800) 992-3833 • (928) 684-2813 • www.bnproducts.com

Specification Sheet

Part #
30369WS-UL

This Cabinet Measures:
30" Wide x 36" Tall x 9" Deep



Features & Info:

- Includes 3/4" plywood backboard & 4-position, #4-14 wire ground bar mounted inside
- Includes 2 knockouts 2 1/2" - 3 1/2" (for 2" - 3" conduit) & 8 knockouts 1 3/8" - 1 3/4" (for 1" - 1 1/2" conduit) See Chart Below
- Made of 14-gauge zinc-coated steel w/ a desert tan powder coat finish
- Reinforced hinged lid with 7/16" recessed hex latch
- Includes splice chamber & 2 J-hooks for mounting
- "COMMUNICATIONS" embossed on the cover
- UL-Listed (UL1863), designed to NEMA 3R
- Box weight: 117 lbs.

Knockout Pattern

