



# BN Products-USA, LLC.

3450 Sabin Brown Road • Wickenburg, Arizona 85390  
(800) 992-3833 • (928) 684-2813 • [www.bnproducts.com](http://www.bnproducts.com)



## PROFESSIONAL PNEUMATIC NAILERS



*Tools That Grow Your Business*



# BN Products-USA, LLC.

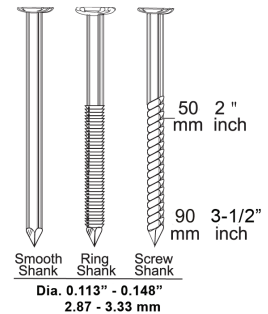
3450 Sabin Brown Road • Wickenburg, Arizona 85390  
 (800) 992-3833 • (928) 684-2813 • www.bnproducts.com



## RHF9021 Non-Adjustable 21° Framing Nailer

- Large piston offers increased power (German steel)
- Contact and tripper safety system protects the operator
- A tool hook can be installed
- Sequential fire
- Package includes nailer, lubrication oil, Allen wrenches, eye protection and an operating manual

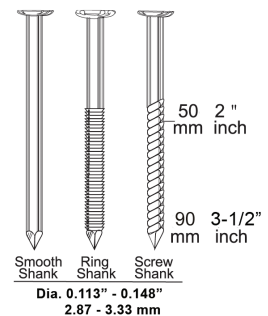
Nail Capacity	2 x 30 pieces
Fastener Length	2" to 3-1/2" (50-83mm)
Fastener Diameter	.113-.148" (2.87-3.76mm)
Magazine Angle	21° +/-1°
Collation	Plastic
Air Inlet & Operating Pressure	3/8" - 80-120 PSI (5.5-8.3 bar)
Dimensions	20-3/4 x 10-1/4 x 4-1/4" (530 x 260 x 108mm)
Weight	7.93 lbs. (3.96 kg)



## RHF9021-A Adjustable 21° Framing Nailer

- Adjustable depth of drive
- Large piston offers increased power (German steel)
- Contact and tripper safety system protects the operator
- A tool hook can be installed
- Single fire or sequential fire is selectable
- Package includes nailer, lubrication oil, Allen wrenches, eye protection and an operating manual

Nail Capacity	2 x 30 pieces
Fastener Length	2" to 3-1/2" (50-83mm)
Fastener Diameter	.113-.148" (2.87-3.76mm)
Magazine Angle	21° +/-1°
Collation	Plastic
Air Inlet & Operating Pressure	3/8" - 80-120 PSI (5.5-8.3 bar)
Dimensions	20-3/4 x 10-1/4 x 4-1/4" (530 x 260 x 108mm)
Weight	7.93 lbs. (3.96 kg)





# BN Products-USA, LLC.

3450 Sabin Brown Road • Wickenburg, Arizona 85390  
 (800) 992-3833 • (928) 684-2813 • www.bnproducts.com

## CN83 Coil Framing Nailer

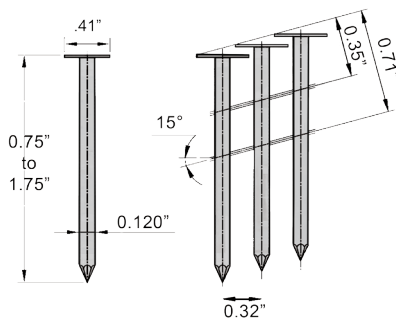
- Lightweight and well balanced for easy operation
- Superior power with a hardened one-piece piston driver.
- Open nose design for easy extraction of jammed nail
- Tool free depth-of-drive adjustment for flush or counter-sink drive into various materials
- Hardened claw tip reduces wear and limits slippage
- Drives nails 1-3/4" to 3-1/4" x .131"
- Package includes nailer, lubrication oil, Allen wrenches, eye protection and an operating manual



Nail Capacity	225-300
Fastener Length	2" to 3-1/4" (50-83mm)
Fastener Diameter	.099-.131" (2.5-3.3 mm)
Magazine Angle	15°
Collation	Wire
Air Inlet & Operating Pressure	3/8" - 70-120 PSI (4.8-8.3 bar)
Dimensions	12.4x14.13x5.37" (315x359x136.5 mm)
Weight	8.75 lbs. (3.98 kg)

## CN45RA Professional Heavy Duty Coil Roofing Nailer (3/4" to 1-3/4")

- Comfortable rubber grip for ease of use and control
- Firing Method: Contact trip
- Package includes nailer, lubrication oil, Allen wrenches, eye protection, and an operating manual
- Great for roofing and installation of fiber cement products



Nail Capacity	120
Fastener Length	3/4" to 1-3/4" (19-45mm)
Fastener Diameter	.098-.120" (2.5-3.05mm)
Magazine Angle	15°
Collation	Wire
Air Inlet & Operating Pressure	3/8" -- 80-120 PSI (5.5-8.3 bar)
Dimensions	11-1/8 x 10-5/8 x 5-1/8" (307 x 281 x 120 mm)
Weight	6.3 lbs. (2.86 kg)

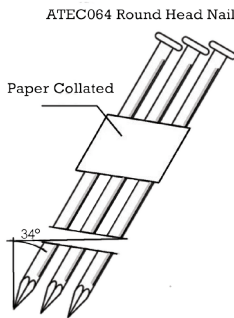


# BN Products-USA, LLC.

3450 Sabin Brown Road • Wickenburg, Arizona 85390  
 (800) 992-3833 • (928) 684-2813 • www.bnproducts.com

## TECO64 Metal Connector Nailer

- Compact design fits between 12" O.C. joists
- Low nail lockout prevents dry fires
- Advanced safety system prevents misfires
- Exposed nail tip design fires in the hole for faster, more precise nailing
- Applications include strapping, joist hangers, hurricane ties, rafter ties and connectors, post bases, caps and anchors
- Package includes nailer, lubrication oil, Allen wrenches, eye protection, carrying case and an operating manual



Nail Capacity	24
Fastener Length	1-1/2" (38mm)
Fastener Diameter	.131-.148" (3.33-3.76mm)
Magazine Angle	34°
Air Inlet & Operating Pressure	1/4" NPT -- 90-120 PSI (6.2-8.3 bar)
Dimensions	12-1/2" x 4-1/2" x 12-1/4" (319 x 113 x 309 mm)
Weight	6.83 lbs. (3.1 kg)

### DISTRIBUTOR PRICE INFORMATION (good through June 2018)

Pneumatic Nailer Products						
Item ID	Description	List	1-11	12-24	25+	MAP
RHF9021	FRAMING NAILER 3-1/2"	189.95	123.45	111.10	107.40	154.30
RHF9021-A	FRAMING NAILER 3-1/2" ADJUSTABLE	189.95	123.45	111.10	107.40	154.30
CN45RA	COIL NAILER, ROOFING 1-3/4"	189.85	123.45	111.10	107.40	154.30
CN83	COIL NAILER, FRAMING, HEAVY DUTY 3-1/2"	299.95	194.95	175.45	165.70	243.70
TECO64	TECO METAL CONNECTOR NAILER	189.95	123.45	111.10	107.40	154.50
MSN90	Palm Nailer (Not Shown)	47.00	30.55	27.50	26.60	38.20

Prepaid Freight is offered on orders above \$3,000 to locations within the continental USA. Manufacturer's Authorized Prices (MAP) is shown on this price sheet. Authorized Distributors are asked to NOT publish prices below MAP prices. The MSRP prices are a suggested retail value; the actual purchase price that an end-user would pay can be different. Prices are subject to change without notice. All tools, parts and accessories are shipped FOB: Wickenburg, AZ. There is a standard 20% restocking charge on returned merchandise. Warranty – One year parts and labor (only through our authorized warranty repair centers). Any questions please call BN Products Customer Service Toll Free Number (800) 992-3833 or (928) 684-2813. You can email us using mail@bnproducts.com or visit us on the Web using www.bnproducts.com.