



# Benner-Nawman, Inc.

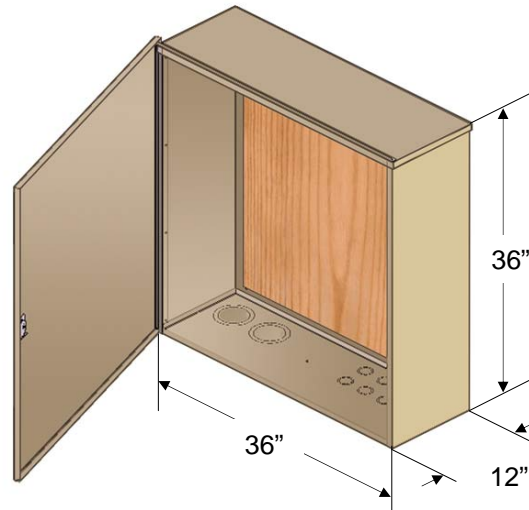
3450 Sabin Brown Road • Wickenburg, AZ 85390

(800) 992-3833 • (928) 684-2813 • [www.bnproducts.com](http://www.bnproducts.com)

## Specification Sheet

Part #  
**BN363612W-UL**

**This Cabinet Measures:  
36" Wide x 36" Tall x 12" Deep**



### Features & Info:

- Includes  $\frac{3}{4}$ " plywood backboard & 4-position, #4-14 wire ground bar mounted inside
- Includes 2 knockouts  $3\frac{1}{2}$ " -  $4\frac{1}{2}$ " (for 3" - 4" conduit) & 10 knockouts  $1\frac{3}{8}$ " -  $1\frac{3}{4}$ " (for 1" -  $1\frac{1}{2}$ " conduit) See Chart Below
- Made of 14-gauge zinc-coated steel w/ a desert tan powder coat finish
- Reinforced hinged lid with  $\frac{7}{16}$ " recessed hex latch
- "COMMUNICATIONS" embossed on the cover
- UL-Listed (UL1863), designed to NEMA 3R
- Includes 2 J-hooks for mounting
- Box weight: 129 lbs.

