

**BNCE-20**  
**The Cutting Edge Saw™**

**DISTRIBUTOR PARTS LIST**



A new design in a multipurpose cutting tool that can be used on all kinds of material found on the job. It can easily cut rebar, all-thread rod, locks, chain, EMT conduit, copper pipe, steel rods, steel tubing, and much more. This hand-held tool is light-weight and powered by 1100W double insulated motor that only pulls 9 amps using standard 120V/60Hz. It features a three position handle and has a no load speed of 2000 rpm. The capacity of the opening is .875" (23.62mm). This tool is ETL Listed and is excellent for cutting material flush with concrete or block. Comes complete with two TCT blades a chip collector bag and case. Prepaid freight on four + tool order to one location.

Specifications for the **BNCE-20** Cutting Edge Saw™

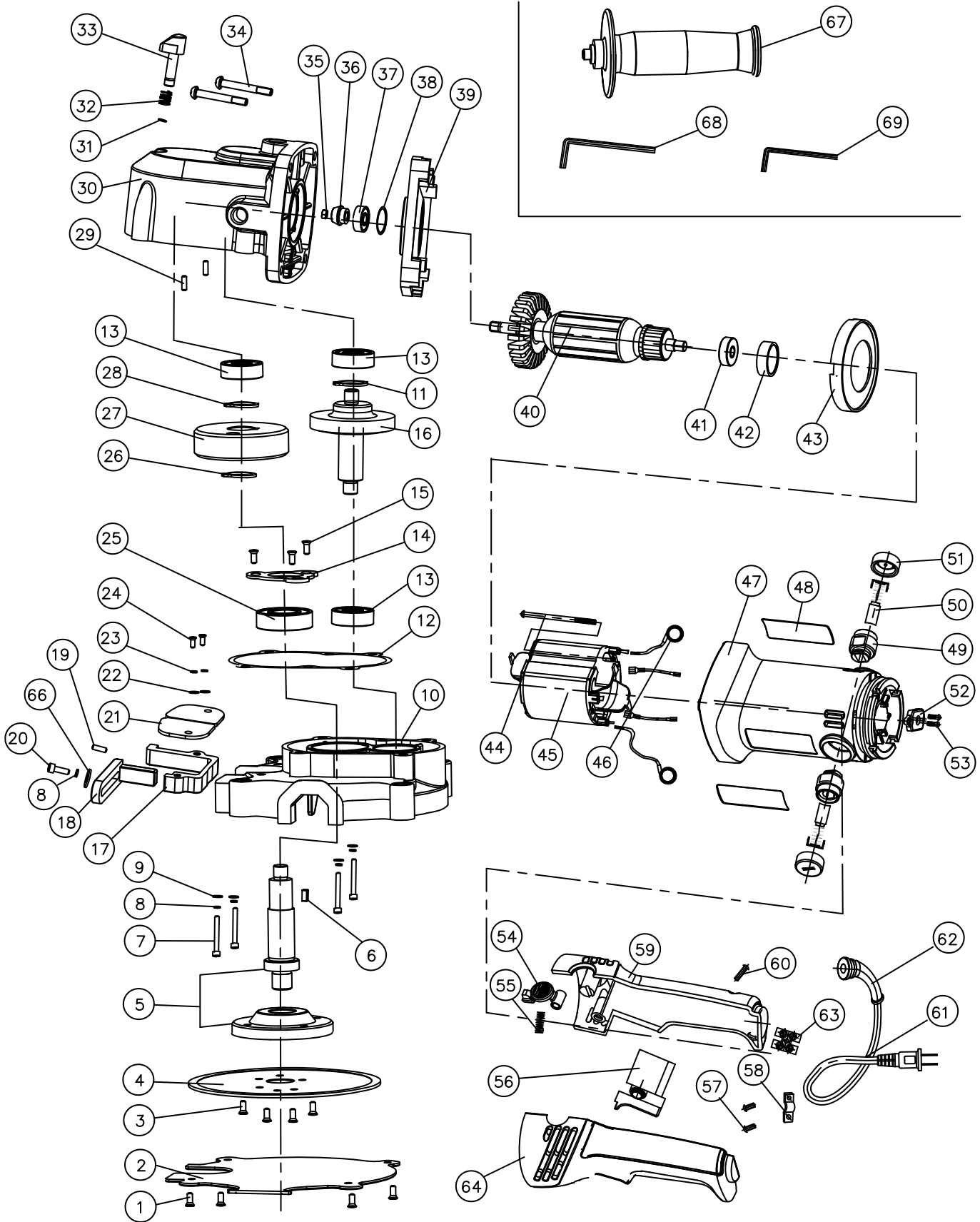
Voltage / Hz / AMPS	120 / 60 / 9
Blade Size	4.375" (110 mm)
Blade Type (2 ea.)	Tungsten Carbide Tipped
Blade Number of Teeth	24
Blade Kerf	1.6 mm
No Load RPM	2,000
Depth of Cut	.860" (21.8 mm)
Cord Type	18 AWG, 2 wire
Cord Length	10 ft. (3 m)
Length x Width	20.3" (515 mm) x 5.5" (140 mm)
Tool Height	3.9" (99 mm)
Net Tool Weight	7.6 lbs. (3.5 kg)



Voted Most Innovative Tool at World of Concrete



BNCE-20  
**The Cutting Edge Saw™**





**BN PRODUCTS-USA, LLC.**

A Division of Benner-Nawman, Inc.

**BNCE-20**

**The Cutting Edge Saw™**

Customer Service • (800) 992-3833 • mail@bnproducts.com

ITEM	PART NO.	PART	QTY
1	BNCEP1-71	Hexagon Socket Screw (M5X15)	4
2	BNCEP1-72	Bottom Plate Guard (New)	1
3	BNCEP1-73	Hexagon Socket Screw (M5X8)	4
4	RB-BNCE-KNH	Blade - WO/Hub	1
5	BNCEP1-75	Blade Flange and Spindle	1
6	BNCEP1-78	Key for Blade Spindle	1
7	BNCEP-07	Hexagon Socket Head Cap head Screw M5X30	4
8	1C1311W	Lockwasher	9
9	BNCEP-09	Washer 5mm	9
10	BNCEP1-77	Aluminum Housing	1
11	BNCEP30-31	Spacer	1
12	BNCEP-12	Gear Housing Gasket	1
13	BNCEP-13	Ball Bearing 628-2Z	3
14	BNCEP30-21	Bearing plate	1
15	BNCEP30-22	Cross Recessed Countersunk Head screw M4x10	3
16	BNCEP-16	Bevel Gear Assy W/ Shaft	1
17	BNCEP-17	Fixed Cutting Guide	1
18	BNCEP-18	Movable Cutting Guide	1
19	BNCEP-19	Pin A5X10	1
20	BNCEP-20	Hexagon Socket Head Cap head Screw M5X15	1
21	BNCEP-21	Left and Right Rubber Guard	1
22	BNCEP-22	Washer 5mm	2
23	BNCEP-23	Lock Washer 4mm	2
24	BNCEP-24	Hexagon Socket Head Cap Screw M4x20	2
25	BNCEP-25	Ball Bearing 6002-2RS	1
26	BNCEP-26	Spacer	1
27	BNCEP30-25	Big Gear	1
28	BNCEP-28	Shaft Clip 15	1
29	BNCEP-29	Pin A5x16	2
30	BNCEP-30	Aluminum Gear Housing	1
31	BNCEP-31	Steel Ring 6mm	1
32	BNCEP-32	Spring for Blade Lock	1
33	BNCEP-33	Lock Button for Blade	1

34	BNCEP-34	Phillips Pan Head Tapping Screw ST 4.2X32	4
35	BNCEP-35	Hex Nut M6	1
36	BNCEP-36-A	Bevel Pinion	1
37	BNCEP-37	Ball Ball Bearing 6002-2Z	1
38	BNCEP-38	O-Ring 25X2	1
39	BNCEP-39	Center Housing Plate	1
40	BNCEP-40-A	Armature, 120V	1
41	BNCEP-41	Ball Bearing 607-2RS	1
42	BNCEP-42	Bearing Bushing	1
43	BNCEP-43	Fan Guide	1
44	BNCEP-44	Phillips Head Tapping Screw ST4.2X70	2
45	BNCEP-45	Stator Coil, 120V	1
46	BNCEP-46	Electrical Connector	2
47	BNCEP-47	Motor Housing	1
49	BNCEP-49	Brush Holder	2
50	BNCEP-50	Carbon Brush Set	2
51	BNCEP-51	Brush Cap	2
52	BNCEP-52	Plate for Inner Wire	1
53	BNCEP-53	Phillips Pan Head Tapping Screw ST2.9X9.5	2
54	BNCEP-54	Rotation Button for Handle	1
55	BNCEP-55	Spring for Rotation Button	1
56	BNCEP-56	Trigger Switch, 120V	1
57	BNCEP-57	Phillips Pan Head Tapping Screw ST 4.2X13	2
58	BNCEP-58	Cord Retaining Clamp	1
59	BNCEP-59	Right Handle	1
60	BNCEP-60	Phillips Pan Head Tapping Screw	4
61	BNCEP-61	Power Cord - 120V	1
62	BNCEP-62	Cord Armor	1
63	BNCEP-63	Terminal	1
64	BNCEP-64	Left Handle	1
66	BNCEP-66	Washer 5mm	1
67	BNCEP-67	Three Position Side Handle	1
68	BNCEP30-68	Inner Hexagon spanner 4mm	1
69	BNCEP30-69	Inner Hexagon spanner 3mm	1
	BNCEP-68	Collection Bag	1
	BNCEP-CASE	BMC	1

# MORE TOOLS FROM WWW.BNPRODUCTS.COM

## BNCE-20-24V CORDLESS CUTTING EDGE SAW™



**Complete With Two (2) 24V  
Batteries and an AC Charger**

- A multipurpose cutting tool that can easily handle #6 (3/4") rebar.
- The capacity opening is .875" and can cleanly cut all-thread, chain, pipe, conduit... and more
- The tool comes with an extra blade, a three-position side handle, all in a storage case. Excellent for cutting rebar and bolts near flush with concrete construction surface.



Product No.	Description
BNCE-20-24V	Cutting Edge Saw™

## BNCE-30 MID SIZE CUTTING EDGE SAW™



**5" Blade Easily Cuts 1" #8  
Rebar, All-Thread Rod And More**

- 3-position removable side handle and a rotating trigger handle
  - Double insulated power harness
  - ETL Certified and Listed
- Includes: extra cutting blade, extra carbon brushes, removable side handle, chip collector attachment, tool kit, and a nifty plastic molded carrying case. Voted most innovative tool at the World of Concrete



Product No.	Description
BNCE-30	Cutting Edge Saw™

## BNCE-30-24V CORDLESS CUTTING EDGE SAW™



**Complete With Two (2) 24V  
Batteries and an AC Charger**

- A mid-size multipurpose cutting tool that can easily handle #8 (1") rebar.
- The capacity opening is 1.125" and can cleanly cut all-thread, chain, pipe, conduit and much more. . .
- Includes an extra 5" blade and a three-position side handle, all in a nifty case. Excellent for cutting rebar and bolts near flush with concrete construction surface.



Product No.	Description
BNCE-30-24V	Cutting Edge Saw™

## DC-20WH PORTABLE #6 HYDRAULIC REBAR CUTTER\



**Largest selling in-field  
rebar cutter in the USA**

- Maximum cutting diameter is 3/4" #6 (20mm) grade-60 rebar.
- Cutting speed is less than 3 seconds with a maximum cutting pressure of 15 tons.
- This is an electric/hydraulic cutting shear that draws 10 amps.
- The tool also includes a safety relief valve and a cutting guard as standard features.



Product No.	Description
DC-20WH	Portable Rebar Cutter