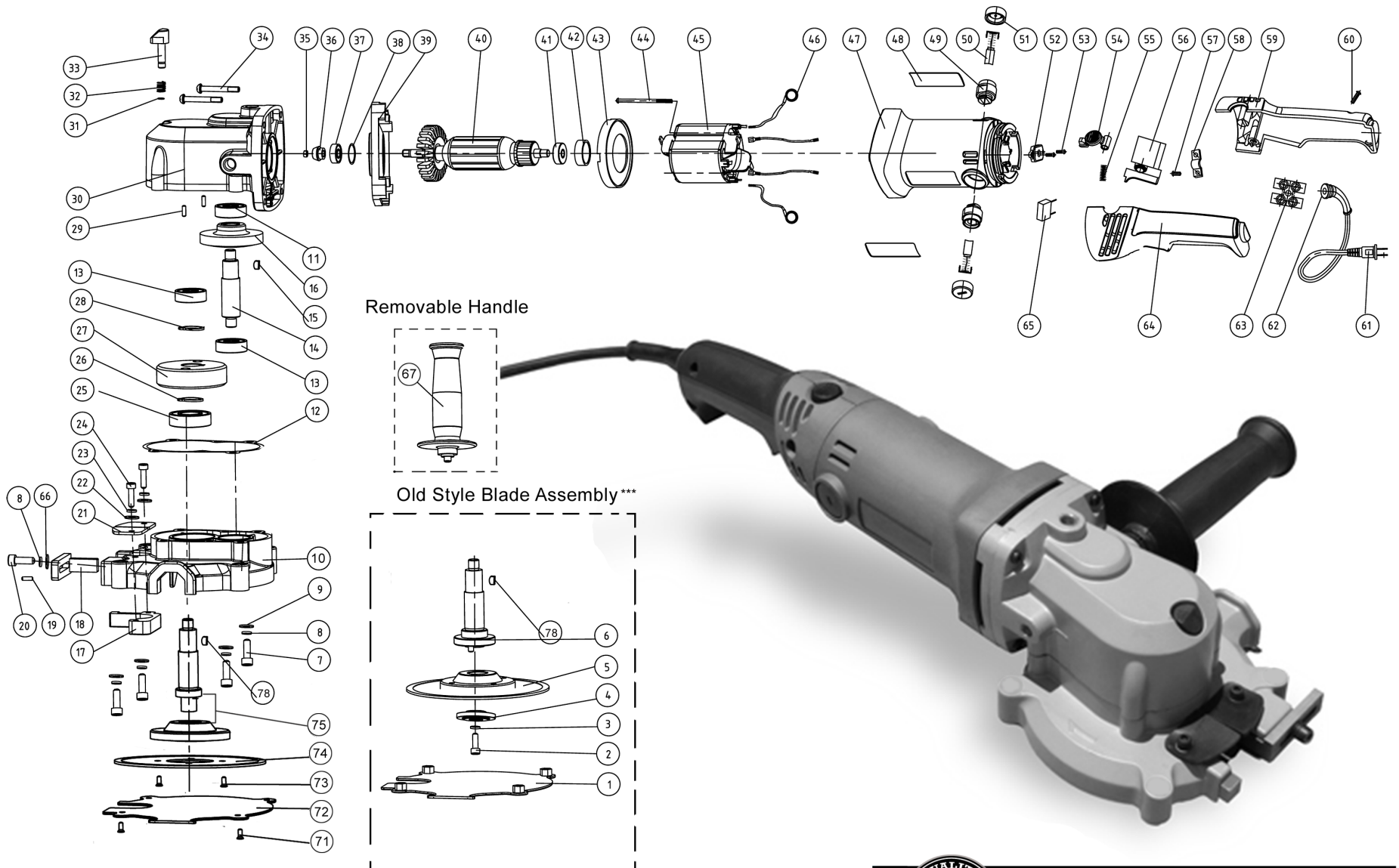


BNCE-20 Corded Parts Drawig (5-12)



Item ID	Item Description	Number
BNCEP-01	BOTTOM PLATE GUARD***	1
BNCEP-02	HEX BOLT (M6X20)***	1
BNCEP-03	RETAINER WASHER (6mm)***	1
BNCEP-04	BLADE FLANGE***	1
BNCEP-06	BLADE SPINDLE***	1
BNCEP-05	HUB STYLE BLADE***	1
BNCEP-06	HHUB STYLE SPINDLE***	1
BNCEP-07	HEX BOLT (M5X30)	4
BNCEP-08	RETAINER WASHER (5mm)	5
BNCEP-09	PLAIN WASHER (5mm)	4
BNCEP-10	HOUSING, ALUMINUM	1
BNCEP-11	BALL BEARING (628Z)	1
BNCEP-12	GASKET SEAL	1
BNCEP-13	BALL BEARING (608-2Z)	2
BNCEP-14	GEAR SHAFT	1
BNCEP-15	WOODRUFF KEY	1
BNCEP-16	BEVEL GEAR	1
BNCEP-17	FIXED CUTTING GUIDE BLOCK	1
BNCEP-18	MOVABLE CUTTING GUIDE BLOCK	1
BNCEP-19	PIN (A5X10)	1
BNCEP-20	HEX BOLT (M5X15)	1
BNCEP-21	LEFT & RIGHT RUBBER PLATE	2
BNCEP-22	PLAIN WASHER (4mm)	2
BNCEP-23	RETAINER WASHER (4mm)	2
BNCEP-24	HEX BOLT (M4X20)	2
BNCEP-25	BALL BEARING (6002-2RS)	1
BNCEP-26	SPACER	1
BNCEP-27	BIG GEAR	1
BNCEP-28	RETAINING RING	1
BNCEP-29	PIN (A5X16)	2
BNCEP-30	ALUMINUM GEAR BOX HOUSING	1
BNCEP-31	STEEL RING (6mm)	1
BNCEP-32	SPRING FOR LOCK BUTTON	1
BNCEP-33	BLADE LOCKING BUTTONS	1
BNCEP-34	PAN HEAD TAPPING SCREW 4.2X32	4
BNCEP-35	HEX NUT (M6)	1
BNCEP-36	BEVEL PINION	1
BNCEP-37	BALL BEARING (60000-2Z)	1

Item ID	Item Description	Number
BNCEP-38	O-RING (25X2)	1
BNCEP-39	DIAPHRAGM	1
BNCEP-40	ARMATURE	1
BNCEP-41	BALL BEARING (607-2RS)	1
BNCEP-42	BEARING BUSHING	1
BNCEP-43	FAN GUIDE	1
BNCEP-44	PAN HEAD TAPPING SCREW	2
BNCEP-45	STATOR COIL	1
BNCEP-46	ELECTRICAL CONNECTOR	2
BNCEP-47	ELECTRICAL HOUSING	1
BNCEP-48	NAME PLATES	2
BNCEP-49	BRUSH HOLDER	2
BNCEP-50	CARBON BRUSH SET (BNCE-20)	1
BNCEP-51	CARBON BRUSH CAP (BNCE-20)	2
BNCEP-52	PLATE FOR INNER WIRE	1
BNCEP-53	PAN HEAD TAPPING SCREW	2
BNCEP-54	ROTATION BUTTON FOR HANDLE	1
BNCEP-55	SPRING FOR ROTATION BUTTON	1
BNCEP-56	TRIGGER SWITCH	1
BNCEP-57	PAN HEAD TAPPING SCREW	2
BNCEP-58	CORD RETAINING CLAMP	1
BNCEP-59	RIGHT HANDLE	1
BNCEP-60	PAN HEAD TAPPING SCREW	4
BNCEP-61	POWER CORD - 120V 60HZ	1
BNCEP-62	CORD ARMOR	1
BNCEP-63	TERMINAL	1
BNCEP-64	LEFT HANDLE	1
BNCEP-65	CAPACITOR	1
BNCEP-66	PLATE WASHER (5mm)	1
BNCEP-67	3 - POSITION SIDE HANDLE	1
BNCEP1-71	HEXAGON SOCKET SCREW (M5X15)	4
BNCEP1-72	BOTTOM PLATE GUARD	1
BNCEP1-73	HEXAGON SOCKET SCREW (M5X8)	4
BNCEP-74	BLADE NEW STYLE (RB-BNCE-NH)	1
BNCEP1-75	BLADE FLANGE AND SPINDLE	1
BNCEP1-77	HOUSING, ALUM (NEW STYLE)	1
BNCEP-78	KEY FOR BLADE SPINDLE	1