



Cutting Edge Saw™

BNCE-20-24V Parts List



BNCE-20-24V Cutting Edge Saw™ This is a 24V battery-operated multi-purpose cutting tool. This saw can easily cut #6 (3/4") rebar, all-thread rod, chain, EMT conduit, copper pipe, steel rods, steel tubing, and much more. It also features a three-position handle. The capacity of the opening is 3/4" (20mm). This tool comes complete with two (2) Li-Ion Batteries and a charger.

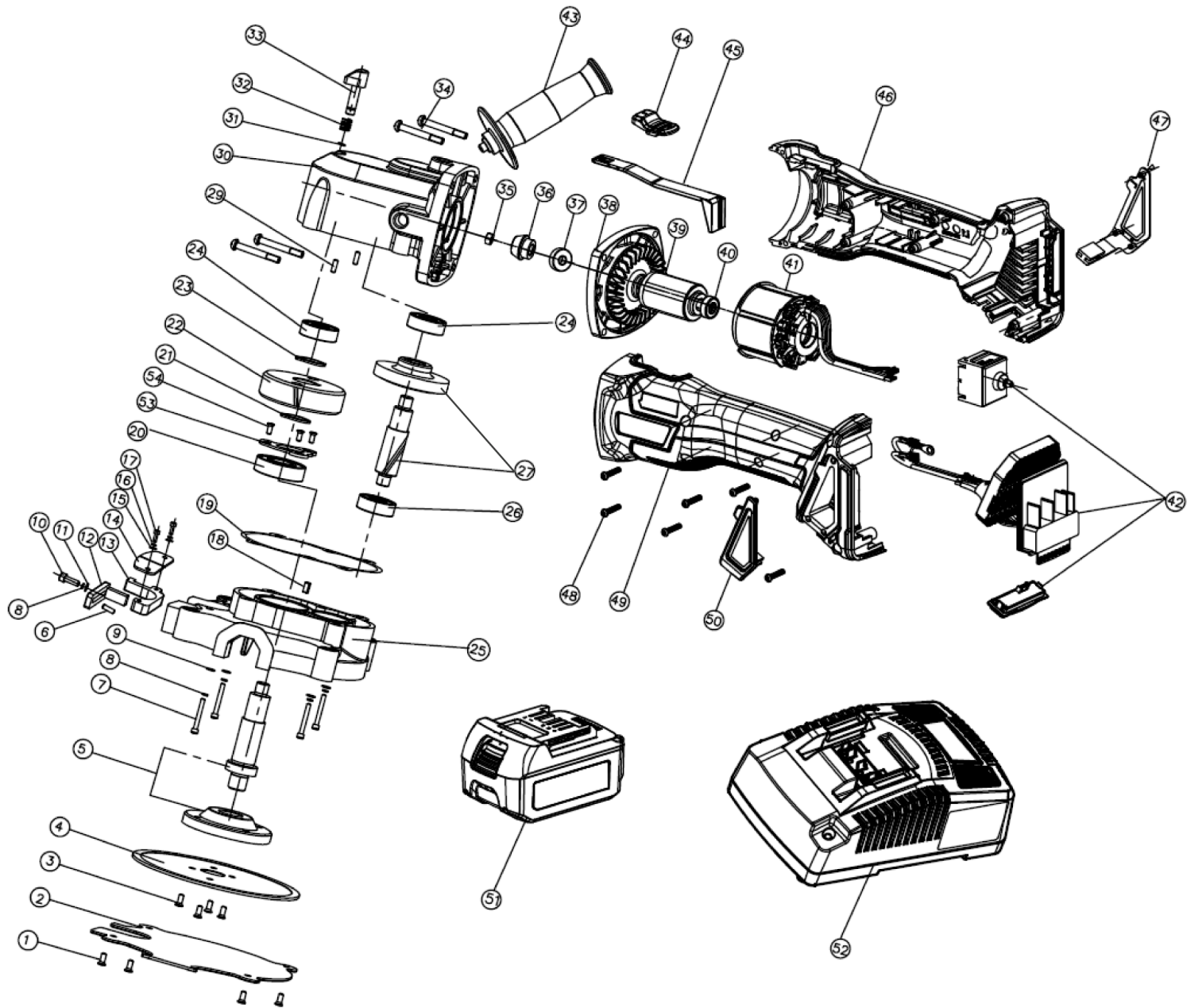
BN Products USA™

3450 SABIN BROWN ROAD | WICKENBURG, AZ 85390
(800) 992-3833 | WWW.BNPRODUCTS.COM

Rev 9/14/2021

BNCE-20-24V Cutting Edge Saw - Exploded View

BN Products-USA Customer Service
(800) 992-3833



PARTS LIST FOR BNCE-20-24V

#	Part No.	Description	Qty	#	Part No.	*Assembly	Description	Qty
1	BNCEP1-71	Hexagon Socket Countersunk Head Bolt M5x14 (class 12.9)	4	#34-40; 44-45; 46-49; and 47-50 are available as Assemblies, indicated below				
2	BNCEP1-72	Blade Cover for BNCE-20/BNCE-20-24V	1	29	BNCEP-29		Pin-A5x16	2
3	BNCEP1-73	Hexagon Socket Countersunk Head Bolt M5x8 (class 12.9)	4	30	BNCEP24V-30		Aluminum Gear Box Housing	1
4	RB-BNCE-30	Blade for BNCE-20/BNCE-20-24V	1	31	BNCEP-31		Steel Ring-5mm	1
5	BNCEP1-75	Blade Flange and Spindle Assembly	1	32	BNCEP-32		Spring for Lock Button	1
6	BNCEP-19	Pin-A5x10	1	33	BNCEP-33		Locking Button	1
7	BNCEP-07	Hexagon Socket Head Cap Head Screw M5x30	4	34	BNCEP24V-34	BNCEP24V-30A Rotor assembly	Six Flower Shaped Pan Head Tapping ScrewsT15	4
8	BNCEP-08	Spring Lock Washer-5mm	9	35	BNCEP24V-35		Nut	1
9	BNCEP-09	Plain Washer-5mm	9	36	BNCEP24V-36		Bevel Pinion	1
10	BNCEP-20	Hexagon Socket Head Cap Head Screw M5x16	1	37	BNCEP24V-37		Ball Bearing-608-2RS	1
11	BNCEP-66	Big Plain Washer-5mm	1	38	BNCEP24V-38		Diaphragm	1
12	BNCEP-18	Movable Cutting Guide Block for BNCE-20/BNCE-20-24V	1	39	BNCEP24V-39		Rotor	1
13	BNCEP-17	Fixed Cutting Guide Block for BNCE-20/BNCE-20-24V	1	40	BNCEP24V-40		Ball Bearing-696-2RS	1
14	BNCEP-21	Left and Right Rubber Plate for BNCE-20/BNCE-20-24V	2	41	BNCEP24V-41		Stator	1
15	BNCEP-22	Big Plain Washer-4mm	2	42	BNCEP24V-42		Switch Assembly	1
16	BNCEP-23	Spring Lock Washer-4mm	2	43	BNCEP-67		Side Handle	1
17	BNCEP-24	Hexagon Socket Head Cap Head Screw M4x16	2	44	BNCEP24V-44	BNCEP24V-44A	Switch Button	1
18	BNCEP-78	Flat Key-5x5x14	1	45	BNCEP24V-45	Button assembly	Pole Switch	1
19	BNCEP-12	Gasket Seal	1	46	BNCEP24V-46	BNCEP24V-46A Housing	Right Housing	1
20	BNCEP-25	Ball Bearing-6002-2RS	1	49	BNCEP24V-49		Left Housing	1
21	BNCEP-26	Spacer	1	47	BNCEP24V-47	BNCEP24V-47A	Dust Protection-Right	1
22	BNCEP30-25	Big Gear	1	50	BNCEP24V-50	Dust Protection	Dust Protection-Left	1
23	BNCEP-28	Shaft Clip-15	1	48	BNCEP24V-48		Six-Flower Shaped Pan Head Tapping Screws T10	6
24	BNCEP24V-24	Ball Bearing-608-2Z	2	51	BNCE-24VLI		Battery	2
25	BNCEP1-77	Housing Aluminum for BNCE-20/BNCE-20-24V	1	52	BNCEP-24V CHGR		Charger	1
26	BNCEP-13	Ball Bearing-628-2Z	3	53	BNCEP30-21		Bearing plate	1
27	BNCEP24V-27/28	Big Bevel Gear Assembly	1	54	BNCEP30-22		Cross Recessed Countersunk Head screw M4x10	3

*Replacement Assemblies defined on Parts List are sold as a single unit