



Cutting Edge Saw™

BNCE-30-24V Parts List



BNCE-30-24V Cutting Edge Saw™ This is a 24V battery-operated multi-purpose cutting tool. Like the corded model above, it can easily cut #8 (1") rebar, all-thread rod, chain, EMT conduit, copper pipe, steel rods, steel tubing, and much more. It also features a three-position handle. The capacity of the opening is 1.18" (30mm). This tool comes complete with two (2) Li-Ion Batteries and a charger.

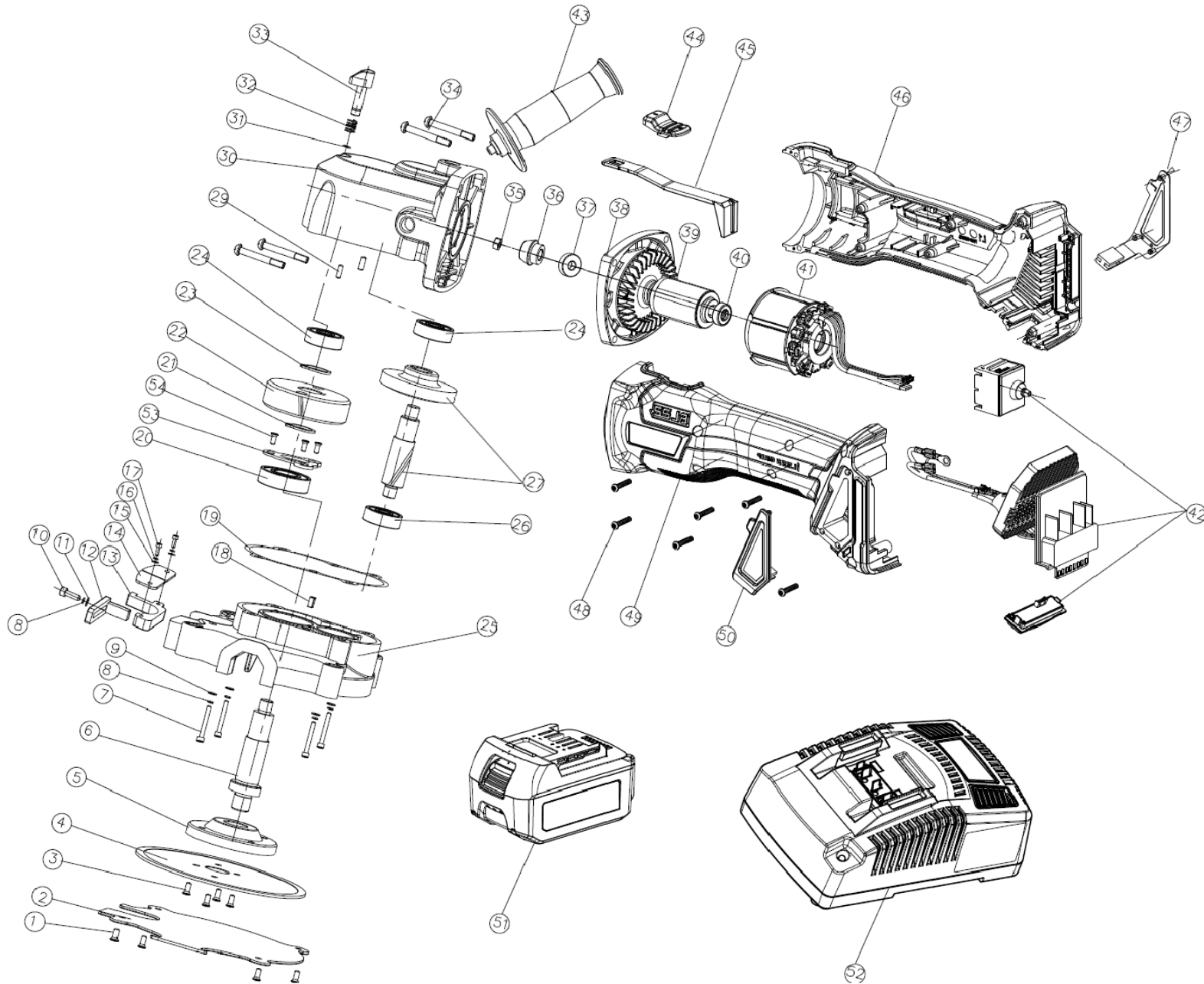
BN Products USA

3450 SABIN BROWN ROAD | WICKENBURG, AZ 85390
(800) 992-3833 | WWW.BNPRODUCTS.COM

REV 4/16/2021

BNCE-30-24V Exploded View

BN Products USA - Customer Service
(800) 992-3833



Parts List for BNCE-30-24V

NO.	Item ID	Parts Name	Qty	NO.	Item ID	Parts Name	Qty
1	BNCEP1-71	Hexagon Socket Countersunk Head Bolt M5x14 (class 12.9)	4	29	BNCEP-29	Pin-A5x16	1
2	BNCEP30-2	Blade Cover	1	30	BNCEP24V-30	Alumium Gear Box Housing	1
3	BNCEP1-73	Hexagon Socket Countersunk Head Bolt M5x8 (class 12.9)	4	31	BNCEP-31	Steel Ring-5mm	1
4	BECEP30-4	Blade-New Style	1	32	BNCEP-32	Spring for Lock Button	1
5	BECEP30-5	Hub-New Style	1	33	BNCEP-33	Locking Button	1
6	BECEP30-6	Cutting Blade Spindle-New Style	1	34	BNCEP24V-34	Six Flower Shaped Pan Head Tapping ScrewsT15	4
7	BNCEP-07	Hexagon Socket Head Cap Head Screw M5x30	4	35	BNCEP24V-35	Nut	1
8	BNCEP-08	Spring Lock Washer-5mm	5	36	BNCEP24V-36	Bevel Pinion	1
9	BNCEP-09	Plain Washer-5mm	4	37	BNCEP24V-37	Ball Bearing-608-2RS	1
10	BNCEP-20	Hexagon Socket Head Cap Head Screw M5x16	1	38	BNCEP24V-38	Diaphragm	1
11	BNCEP-66	Big Plain Washer-5mm	1	39	BNCEP24V-39	Rotor	1
12	BECEP30-12	Movable Cutting Guide Bolck	1	40	BNCEP24V-40	Ball Bearing-696-2RS	1
13	BECEP30-11	Fixed Cutting Guide Block	1	41	BNCEP24V-41	Stator	1
14	BECEP30-16	Left and Right Rubber Plate	2	42	BNCEP24V-42	Switch Assembly	1
15	BNCEP-22	Big Plain Washer-4mm	2	43	BNCEP-67	Side Handle	1
16	BNCEP-23	Spring Lock Washer-4mm	2	44	BNCEP24V-44	Switch Button	1
17	BNCEP-24	Hexagon Socket Head Cap Head Screw M4x16	2	45	BNCEP24V-45	Pole Switch	1
18	BNCEP-78	Flat Key-5x5x14	1	46	BNCEP24V-46	Right Housing	1
19	BNCEP-12	Gasket Seal	1	47	BNCEP24V-47	Dust Protection-Right	1
20	BNCEP-25	Ball Bearing-6002-2RS	1	48	BNCEP24V-48	Six Flower Shaped Pan Head Tapping ScrewsT10	6
21	BNCEP-26	Spacer	1	49	BNCEP24V-49	Left Housing	1
22	BNCEP30-25	Big Gear	1	50	BNCEP24V-50	Dust Protection-Left	1
23	BNCEP-28	Shaft Clip-15	1	51	BNCEP24V-51	Battery	2
24	BNCEP24V-24	Ball Bearing-608-2Z	2	52	BNCEP24V-52	Charger	1
25	BNCEP30-10	Alumium Housing	1	53	BECEP30-21	Bearing plante	1
26	BNCEP24V-26	Ball Bearing-628-2Z	1	54	BECEP30-22	Cross Recessed Countersunk Head screw M4x10	3
27	BNCEP24V-27/28	Big Bevel Gear Assembly	1				