



# **BN Products-USA, LLC**

3450 Sabin Brown Road • Wickenburg, Arizona 85390  
(800) 992-3833 • (928) 684-2813 • [www.bnproducts.com](http://www.bnproducts.com)

## **BNCE-30** **The Cutting Edge Saw™**

### **Parts Manual** **120 Volt Corded Saw**

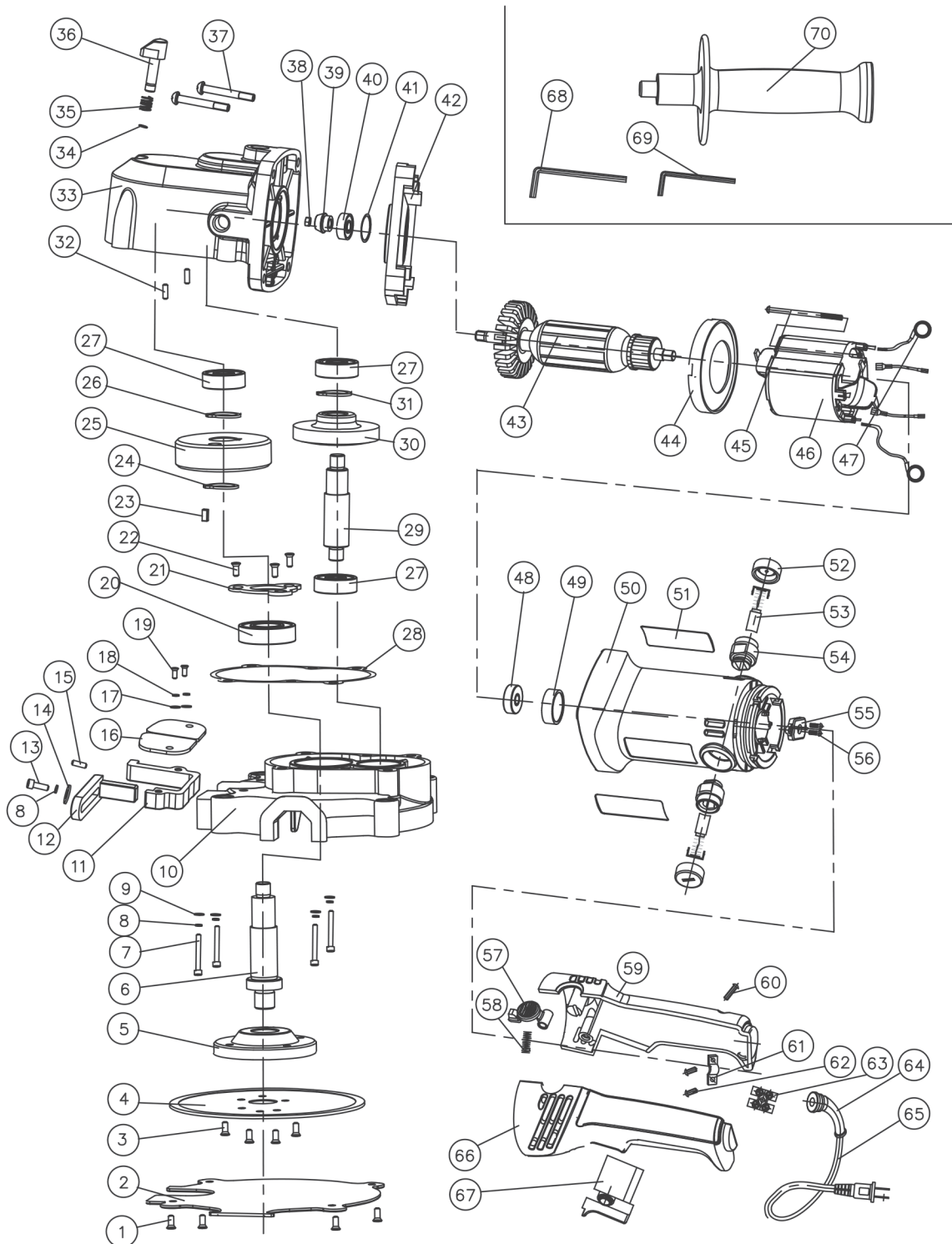




# BN Products-USA, LLC

3450 Sabin Brown Road • Wickenburg, Arizona 85390  
(800) 992-3833 • (928) 684-2813 • www.bnproducts.com

BNCE-30 Corded Parts Drawing (Updated 2018)





# BN Products-USA, LLC

PARTS LIST

3450 Sabin Brown Road • Wickenburg, Arizona 85390  
 (800) 992-3833 • (928) 684-2813 • www.bnproducts.com

NO.	ITEM ID	ITEM DESCRIPTION (BNCE-30)
1	BNCEP1-71	HEXAGON SOCKET SCREW M5X14 (4)
2	BNCEP30-02	BLADE COVER
3	BNCEP1-73	HEXAGON SOCKET SCREW M5X8 (4)
4	RB-BNCE-30	BLADE
5		HUB (included with BNCEP30-6)
6	BNCEP30-6	CUTTING BLADE SPINDLE
7	BNCEP-07	HEXAGON SOCKET SCREW M5X30 (4)
8	BNCEP-08	SPRING LOCK WASHER-SMM (9)
9	BNCEP-09	PLAIN WASHER-SMM (9)
10	BNCEP30-10	ALUNMIUM HOUSING
11	BNCEP30-17	FIXED CUTTING GUIDE BLOCK
12	BNCEP30-18	MOVABLE CUTTING GUIDE BOLCK
13	BNCEP-20	HEXAGON SOCKET SCREW MSXJ6
14	BNCEP-66	"BIG PLAIN WASHER SMM
15	BNCEP-19	PIN A5X10
16	BNCEP30-16	LEFT AND RIGHT RUBBER PLATE
17	BNCEP-22	PLAIN WASHER (4MM) (2)
18	BNCEP-23	SPRING LOCK WASHER (4MM) (2)
19	BNCEP-24	HEXAGON SOCKET SCREW M4X16 (2)
20	BNCEP-25	BALL BEARING (6002-2Z)
21	BNCEP30-21	BEARING PLANTE
22	BNCEP30-22	HEXAGON SOCKET SCREW M4X10 (3)
23	BNCEP1-78	FLAT KEY FOR BLADE SPINDLE-5XSX14
24	BNCEP-26	SPACER
25	BNCEP30-25	BIG GEAR
26	BNCEP-28	SHAFT CLIP-15
27	BNCEP-13	BALL BEARING (628-2Z) (3)
28	BNCEP-12	GASKET SEAL
29	BNCEP-14	GEAR SHAFT
30	BNCEP-16	BEVEL GEAR
31	BNCEP30-31	SPACER
32	BNCEP-29	PIN-ASX16 (2)
33	BNCEP-30	ALUNMIUM GEAR BOX HOUSING
34	BNCEP-31	STEEL RING-6MM
35	BNCEP-32	SPRING FOR LOCK BUTTON
36	BNCEP-33	BLADE LOCKING BUTTON

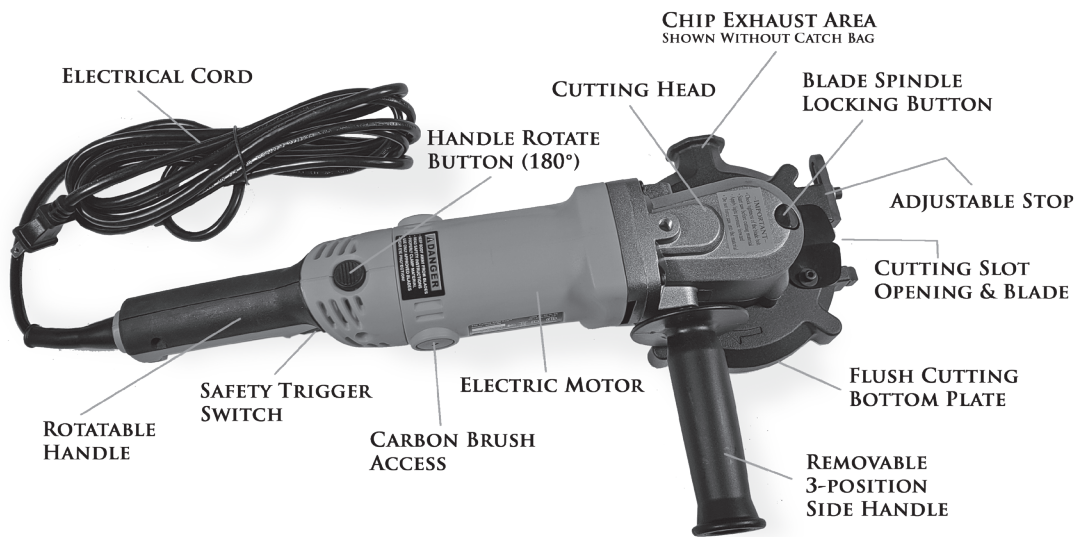
37	BNCEP-34	PAN HEAD TAPPING SCREWS ST4.2X32 (4)
38	BNCEP-35	LOCKNUT M6
39	BNCEP-36-A	BEVEL PINION
40	BNCEP-37	BALL BEARING (6000-2Z)
41	BNCEP-38	O-RING 25X2
42	BNCEP-39	DIAPHRAGM
43	BNCEP-40	ARMATURE
44	BNCEP-43	FAN GUIDE
45	BNCEP-44	PAN HEAD TAPPING SCREW ST4.2X70 (2)
46	BNCEP-45	STATOR
47	BNCEP-46	ELECTRICAL CONNECTOR (2)
48	BNCEP-41	BALL BEARING (607-2RS)
49	BNCEP-42	BEARING BUSH
50	BNCEP-47	ELECTRICAL HOUSING
51	BNCEP30-51	NAME PLATE (2)
52	BNCEP 51	BRUSH CAP (2)
53	BNCEP-50	CARBON BRUSH (2)
54	BNCEP-49	BRUSH HOLDER (2)
55	BNCEP-52	INNER WIRE RETAINING
56	BNCEP-53	PAN HEAD TAPPING SCREW ST2.9X9.5 (2)
57	BNCEP-54	ROTATION BUTTON FOR HANDLE
58	BNCEP-55	SPRING FOR ROTATION BUTTON
59	BNCEP-59	RIGHT HANDLE
60	BNCEP-60	PAN HEAD TAPPING SCREW ST4.2X16 (4)
61	BNCEP-58	CORD RETAINING CLAMP
62	BNCEP-57	PAN HEAD TAPPING SCREW ST4.2X13 (2)
63	BNCEP-63	TERMINAL
64	BNCEP-62	CORD ARMOR
65	BNCEP-61	POWER CORD-120V
66	BNCEP-64	LEFT HANDLE
67	BNCEP-56	TRIGGER SWITCH
68	BNCEP30-68	INNER HEXAGON SPANER 4MM
69	BNCEP30-69	INNER HEXAGON SPANER 3MM
70	BNCEP-67	SIDE HANDLE



# BN Products-USA, LLC

3450 Sabin Brown Road • Wickenburg, Arizona 85390  
 (800) 992-3833 • (928) 684-2813 • www.bnproducts.com

## BNCE-30 The Cutting Edge Saw™



Model No.	BNCE-30
Power Supply	120 Volt - 60 Hz, 9 Amp, Single phase
Motor Type	1100 Watt Double Insulated
No-Load Blade Speed	2,000 RPM
Max Cutting Capacity	1" (25mm)
Max Blade Diameter	5" (127 mm)