



Benner-Nawman, Inc.

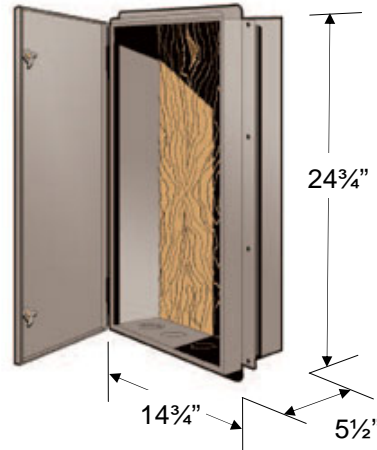
3450 Sabin Brown Road • Wickenburg, AZ 85390

(800) 992-3833 • (928) 684-2813 • www.bnproducts.com

Specification Sheet

Part #
1130W-UL

This Cabinet Measures:
14³/₄" Wide x 24³/₄" Tall x 5¹/₂" Deep



Features & Info:

- Includes a 1/2" plywood backboard for easy mounting of utility equipment
- Reinforced hinged door that locks with a standard can wrench
- Made of 16-gauge, zinc-coated steel (powder coat tan finish)
- Available with an optional 4-position, #4-14 wire ground bar
- "COMMUNICATIONS" is embossed on the door
- UL-Listed (UL1863), designed to NEMA 3R
- Identical knockouts on both top and bottom
- Fully enclosed with knockouts
- Box weight: 30 lbs.

Bottom View

