



Benner-Nawman, Inc.

3450 Sabin Brown Road • Wickenburg, Arizona 85390

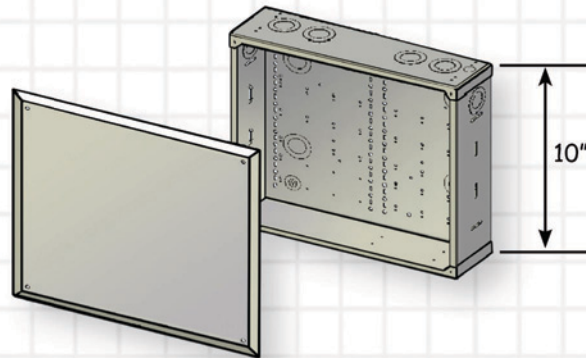
(800) 992-3833 • (928) 684-2813 • Fax: (928) 684-7041 • mail@bnproducts.com

Specification Information

Enclosure Type: 14104-MM

This Pre-Wire Box Measures:
14-1/4" Wide x 10" Tall x 4" Deep

Structured Wiring and Indoor Service Cabinets



- Includes mounting screws, grommets, instruction sheet & cardboard overspray shield
- Made of 18-gauge(lid) & 20-gauge(body), zinc-coated steel (powder coat white finish)
- Features a universal mounting pattern which accepts most major brands of modules
- Enclosure mounts prior to drywall between 16" center studs (mounting slots on side)
- Depth marks on the side of the body, AC knockout on the bottom
- Body & Screw-on Lid may be purchased separately
- UL-Listed (UL1863)
- Box weight: 8 lbs.

