



Benner-Nawman, Inc.

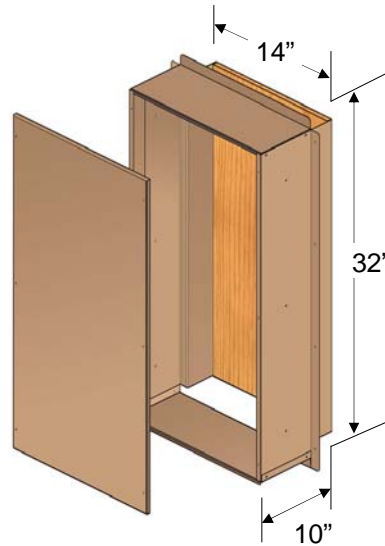
3450 Sabin Brown Road • Wickenburg, AZ 85390

(800) 992-3833 • (928) 684-2813 • www.bnproducts.com

Specification Sheet

Part #
143210W-UL

This Cabinet Measures:
14" Wide x 32" Tall x 10" Deep



Features & Info:

- Includes a 1/2" plywood backboard for easy mounting of utility equipment
- Fully enclosed lid fastened w/ 4 zinc-coated Phillips sheet metal screws
- Made of 18-gauge, zinc-coated steel (powder coat tan finish)
- "COMMUNICATIONS" embossed on the cover
- UL-Listed (UL1863), designed to NEMA 3R
- Includes a 4-position, #4-14 wire ground bar
- Enclosure mounts between 16" center studs
- Open top and bottom to the inside wall
- Box weight: 27 lbs.

Bottom View

