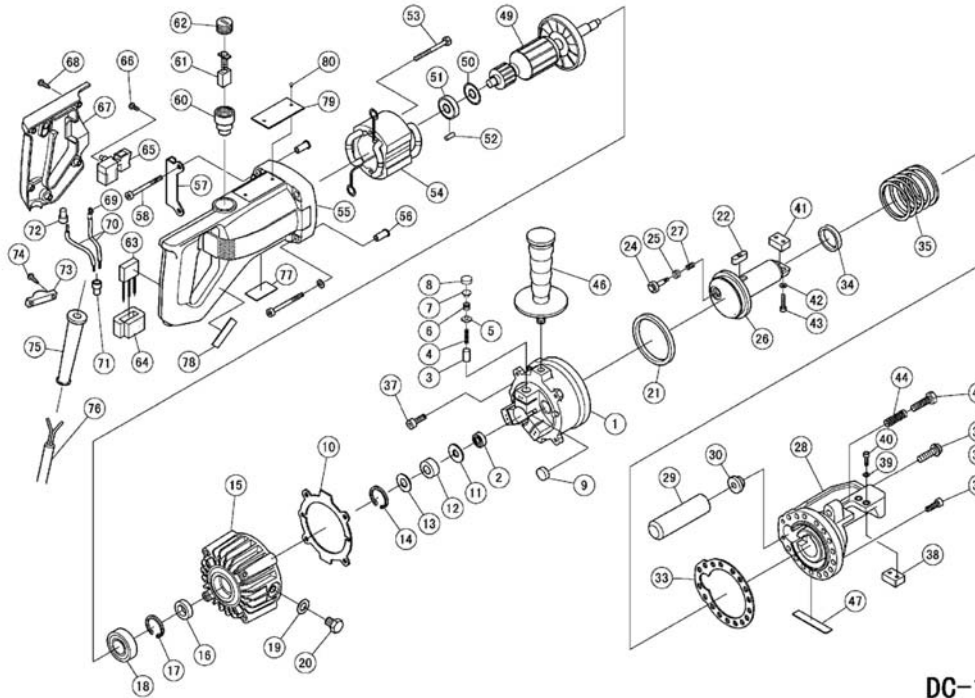




Benner-Nawman, Inc.

3450 Sabin Brown Road - Wickenburg, AZ 85390
 (800) 992-3833 Fax: (928) 684-7041
 mail@bnproducts.com

DC-16W Parts List



DC-16W

No.	Part No.	Part Name	No.	Part No.	Part Name	No.	Part No.	Part Name
1	1CW0001	CYLINDER	28	1C16012	HOUSING	55	4V0001H	MOTOR HOUSING
2	1CW0003	BALL BEARING 698	29	1C1616	AIR BAG	56	4V0001K	SLEEVE
3	1C1327	RAM	30	1C1620	AIR BAG NUT	57	4V0001L	FOOT
4	1C1330	RAM RETURN SPRING	31	7SW0008	SPRING WASHER M8	58	7CB05080	CAP BOLT M5x80
5	1C13281	DELIVERY VALVE	32	1C1357	AIR BAG SET BOLT	59	7SS04005	SET SCREW M4x5
6	1C1331	DELIVERY VALVE SPRING	33	1C16142	CYLINDER PACKING	60	4V0001D	BRUSH HOLDER
7	1C13352	SPRING GUIDE	34	1C16021	SEAL PACKING SKY30	61	4V0001F	CARBON BRUSH SET
8	1C13292	PUMP HEAD SEAL	35	1C16052	RETURN SPRING	62	4V0001E	BRUSH CAP
9	3P1044	MAGNET FILTER	36	7CB06020	CAP BOLT M6x20	63	4V0001P	CONDENSER
10	1C1615	PUMP CASE PACKING	37	7CB06020	CAP BOLT M6x20	64	4V0001Q	SUPPORT (B)
11	1C1325	BEARING GUIDE	38	1C1610	CUTTER BLOCK NO.0	65	4V0001N	SWITCH
12	1C13401	NEEDLE BEARING	39	7SW0005	SPRING WASHER M5	66	7WB035006	SWITCH BOLT M3.5X6
13	1C1325	BEARING GUIDE	40	7CB05018	CAP BOLT M5x18	67	4V0001M	SWITCH COVER
14	1C1326	SNAP RING H27	41	1C1610	CUTTER BLOCK NO.0	68	7WNS04020	TAPPING SCREW D4X20
15	4V0001A	PUMP CASE	42	7GW0005	WASHER M5	69	4V0001S	TERMINAL
16	7SD15257	OIL SEAL	43	7CB05015	CAP BOLT M5x15	70	4V0001T	LEAD WIRE
17	7HR26	SNAP RING H26	44	1C1603	LOCK SPRING	71	4V0001U	CONNECTOR 50091
18	76002VV	BALL BEARING 6002VV	45	7B810040	STOPPER BOLT M10X40	72	4V0001W	CONNECTOR 50092
19	1C1305	SEAL WASHER	46	1C1627	SIDE HANDLE	73	4V0001R	CORD CLIP
20	7B10015	OIL PLUG M10x15	47	7DN167	STICKER	74	7FNS04016	TAPPING SCREW D4X16
21	1C1604	SEAL PACKING	49	4V0001B	ARMATURE WITH CAM	75	4V0001X	CORD ARMER
22	1C16182	PISTON KEY	50	4V0001J	DUST SEAL (A)	76	4V0001V	CORD SET
24	1C1319	RETURN VALVE	51	7608VV	BALL BEARING 608VV	77	7DN018	STICKER
25	1CL0143	RETURN VALVE SPRING	52	4V0001G	BEARING LOCK	78	7DN121	STICKER
26	1C16172	PISTON	53	7WNS05060	TAPPING SCREW D5x60	79	7DN202	NAME PLATE
27	1C1323	VALVE END SPRING	54	4V0001C	STATOR COIL	80	7R020032	RIVET