



**BN Products-USA™**

A DIVISION OF BENNER-NAWMAN, INC.

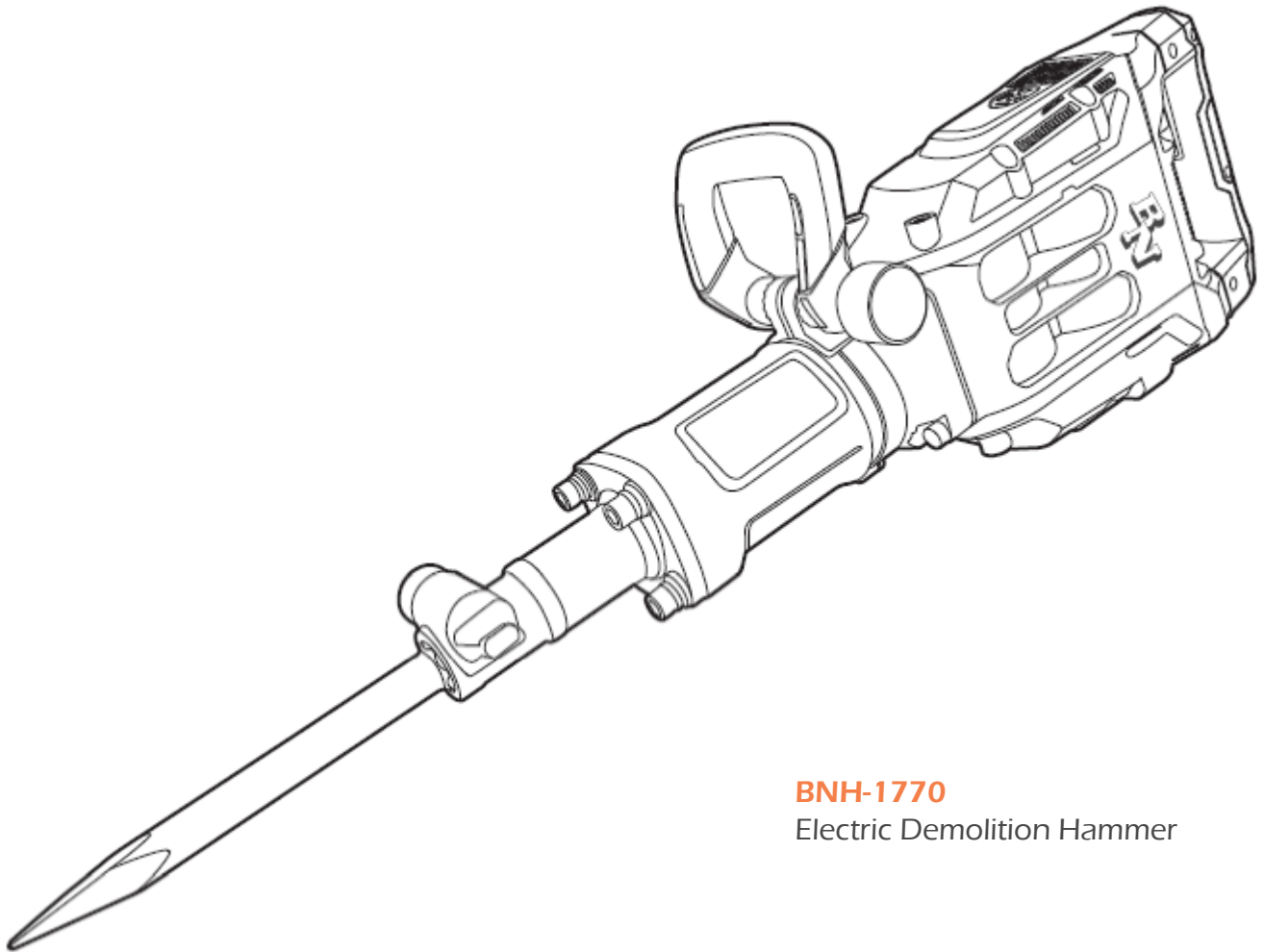
WWW.BNPRODUCTS.COM

# BNH-1770 DEMOLITION HAMMER

BN Customer Service (800) 992-3833

1700 Watt | 1-1/8" Hex Shank Chuck | Industrial Force  
1650 Maximum Beats per Minute

## Demolition Hammer



**BNH-1770**

Electric Demolition Hammer

**BN Products-USA™**

3450 N Sabin Brown Road | Wickenburg, AZ 85390

(800) 992-3833 | [www.BNProducts.com](http://www.BNProducts.com)

**PRODUCT  
PARTS GUIDE**



**BN Products-USA™**

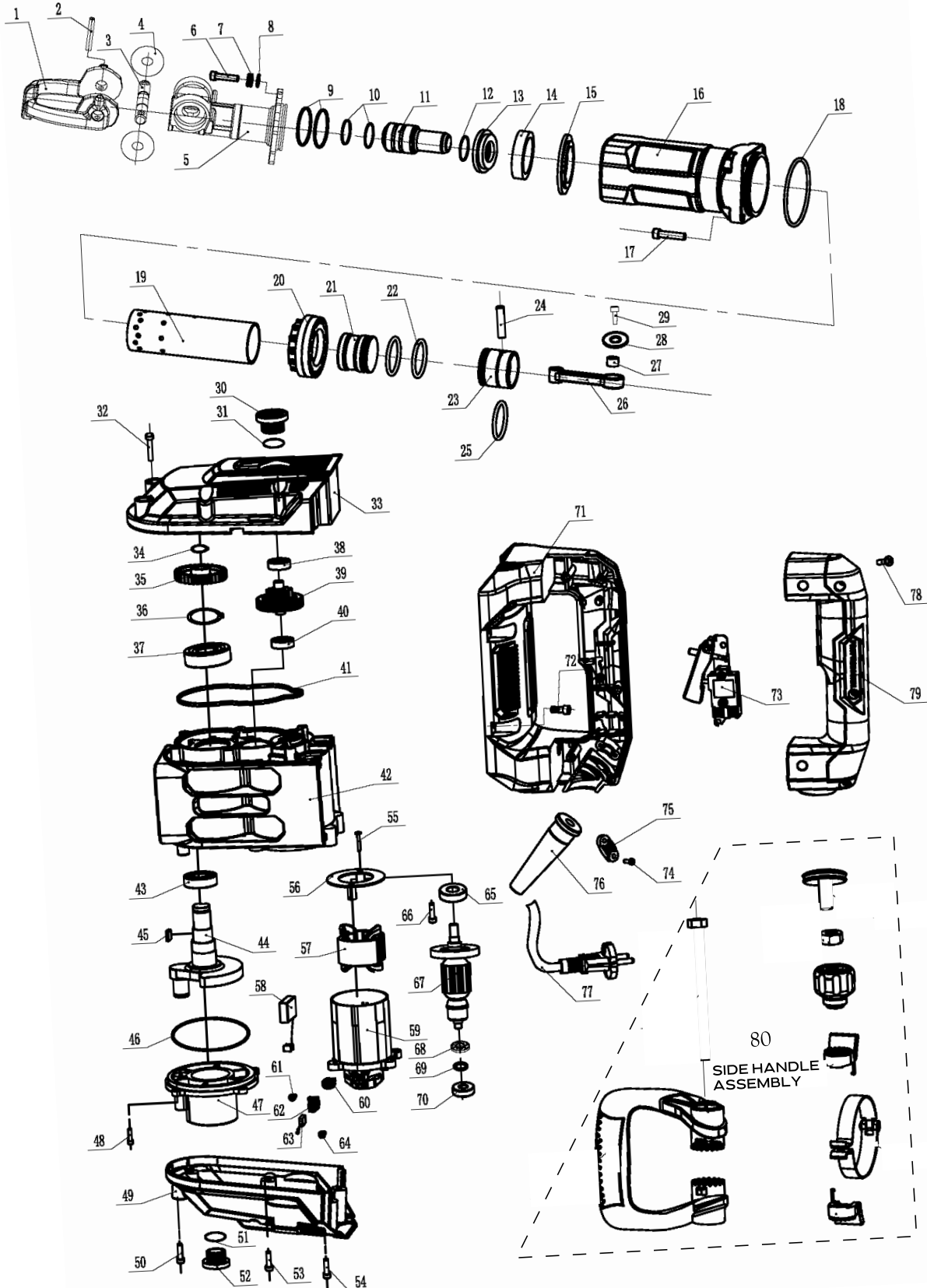
A DIVISION OF BENNER-NAWMAN, INC.

WWW.BNPRODUCTS.COM

# BNH-1770 DEMOLITION HAMMER

BN Customer Service (800) 992-3833

## BNH-1770 DEMOLITION HAMMER (EXPLODED VIEW)



**BN Products-USA™**

A DIVISION OF BENNER-NAWMAN, INC.

WWW.BNPRODUCTS.COM

# BNH-1770 DEMOLITION HAMMER

BN Customer Service (800) 992-3833

No.	Part Number	Part Name	Qty	No.	Part Number	Part Name	Qty
1	101804	Chisel Chuck	1	32	101831	Hex.Socket Bolt sets M6×20	1
2	101805	Spring Column PinΦ8×55	2	33	101834	Gear Cover	1
3	101806	Locking Lever	1	34	101835	Φ18 Retaining Ring	1
4	101807	Clamp ring	2	35	101836	Final Gear	1
5	101808	Front Cover Assembly	1	36	101837	Φ47 Retaining Ring	1
6	101809	Hex.Socket Bolt M12×45	4	37	101838	Ball Bearing 6204RS	1
7	101810	Spring washer Φ12×3.2	8	38	101839	Ball Bearing 6202	1
8	101811	Flat washer Φ13×24×3	4	39	101840	Middle Gear	1
9	101812	O ring Φ62×2.4	2	40	101839	Ball Bearing 6202	1
10	101813	Fluorin O ring Φ40×33x3.5	2	41	101841	Sealing ring	1
11	101814	Impact Hammer	1	42	101842	Housing Ass'y	1
12	101813	Fluorin O ring Φ40×33x3.5	1	43	101843	Ball Bearing 6205RS	2
13	101815	Limit ring	1	44	101844	Crank Shaft	1
14	101816	Shock absorption ring Φ55×72x16	1	45	101845	Woodruff key	4
15	101817	Cylinder seat	1	46	101846	O ring Φ90x1.9	2
16	101818	Aluminum Head	1	47	101847	Oil cap seat	2
17	101819	Hex.Socket Bolt M10×40	4	48	101848	Hex.Socket Bolt M5×12	2
18	101820	O ring Φ95×2	1	49	101849	Back Cover	2
19	101821	Cylinder	1	50	101850	Hex.Socket Bolt M6X20	2
20	101822	Cylinder stop collar	1	51	101851	O ring Φ20x2.65	1
21	101823	Impcat hammer	1	52	101833	Oil Cap	2
22	101824	O ring Φ58.6x48.2x5.2	2	53	101852	Hex.Socket Bolt M6X30	1
23	101825	Piston	1	54	101853	Hex.Socket Bolt M6X35	1
24	101826	Piston pin 12*52	1	55	101854	Philips Screw 5x75	1
25	101827	O ring Φ58.2×3.5	1	56	101855	Fan Guide	1
26	101828	Connecting rod	1	57	101856	stator	4
27	101829	Needle bearing NK16/16	1	58	101857	Constant Power Device	1
28	101830	Washer	1	59	101858	STATOR HOUSING	1
29	101831	Hex.Socket Bolt sets M6×20	1	60	101859	disc spring	1
30	101832	Oil cap	2	61	101860	Screw 3*10	1
31	101833	O ring Φ20x2.65	1	62	101861	Brush Holder	1

**BN Products-USA™**



**BN Products-USA™**

A DIVISION OF BENNER-NAWMAN, INC.

WWW.BNPRODUCTS.COM

# BNH-1770 DEMOLITION HAMMER

**BN Customer Service (800) 992-3833**

No.	Part Number	Part Name	Qty
63	101862	Carbon Brush	2
64	101863	Screw 4*8	2
65	101864	Ball Bearing 6004	1
66	101865	Pan head screw5x10	3
67	101866	Armature	1
68	101867	Flat Washer	1
69	101868	Magnetic Ring	1
70	101869	Ball Bearing 6201	1
71	101870	Main Handle	1
72	101850	Hex.Socket Bolt M6X20	4
73	101871	Switch	1
74	101872	Self Tapping Screw 4×16	2
75	101873	Cord Clip	1
76	101874	Cord Armor	1
77	101875	Cord	1
78	101872	Self Tapping Screw 4×16	5
79	101876	Main Handle Cover	1
80	101882  *Side Handle Assembly	Adjustment knob & cover	1
		Nut M8	1
		ADJUSTMENT KNOB CLAMP	2
		Fixed belt	1
		Hexagon head bolt M8×125	1
		Side Handle	1
<i>*Replacement Assemblies are sold as a single item</i>			

Parts pricing is available through BN Customer Service:

(800) 992-3833 | mail@bnproducts.com



**BN Products-USA™**